


CATALOGUE
GRP
PROFILES

www.fibraworld.ba / +387 35 816 375 / info@fibraworld.ba

INDEX

GRP Standard Profiles

2	SERIES 502	Rods
3	SERIES 504 / 599	Plates
4	SERIES 506	Round Tubes (1/2)
5	SERIES 506	Round Tubes (2/2)
6	SERIES 507	Square Tubes
7	SERIES 508	L Profiles
8	SERIES 509	Special L Profiles
9	SERIES 511 / 519	H Profiles
10	SERIES 512 / 519	U Profiles
11	SERIES 513 / 519	Rectangular Tubes
12	SERIES 517	T Profiles
12	SERIES 529	Z Profiles

GRP Handrail Profiles

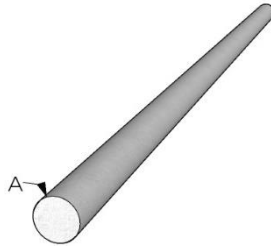
16	51934	Omega Handrail
16	51935	Kickplate 150x3,5
16	50617	Round Tube 25x20
16	50703	Post 50 mm

GRP Cable Trays & Channels

13-14	SERIES 522 / 523	Cable Trays
15	SERIES 518	Omega ENEL
15	SERIES 546	Omega Telecom

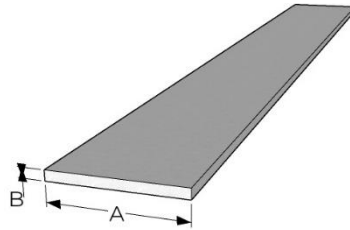
GRP Standard Profiles

SERIES 502 | RODS



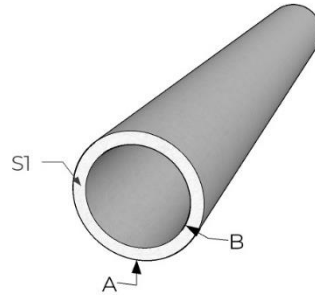
CODE	DESCRIPTION	A	B	C	D	S1	S2	WEIGHT Kg/m
50253	Rod Ø 2	2						0,007
50252	Rod Ø 3	3						0,014
50201	Rod Ø 4	4						0,024
50202	Rod Ø 6	6						0,060
50215	Rod Ø 7	7						0,078
50203	Rod Ø 8	8						0,100
50204	Rod Ø 10	10						0,160
50205	Rod Ø 12	12						0,210
50207	Rod Ø 16	16						0,410
50209	Rod Ø 20	20						0,660
50210	Rod Ø 22	22						0,770
50211	Rod Ø 24	24						0,890
50261	Rod Ø 25	25						1,140
50214	Rod Ø 30	30						1,360
50218	Rod Ø 38	38						2,285

SERIES 504 / 599 | PLATES



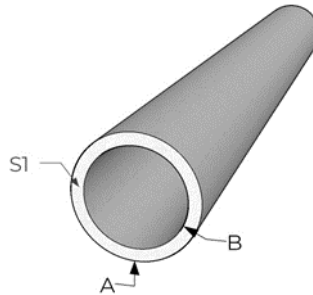
CODE	DESCRIPTION	A	B	C	D	S1	S2	WEIGHT Kg/m
50435	Plate 6x2,5	6	2,5					0,032
50436	Plate 10x3	10	3					0,055
50437	Plate 15x3	15	3					0,081
50407	Plate 22,5x2,5	22,5	2,5					0,109
50429	Plate 24,8x9	24,8	9					0,520
50430	Plate 29,3x10	29,3	10					0,650
50403	Plate 30x4	30	4					0,230
50401	Plate 30x10	30	10					0,590
50409	Plate 40x4	40	4					0,350
50404	Plate 40x5	40	5					0,355
50418	Plate 40x6	40	6					0,445
50419	Plate 40x7	40	7					0,500
50425	Plate 40x9	40	9					0,720
50443	Plate 40x10	40	10					0,820
50441	Plate 60x4	60	4					0,468
50439	Plate 80x10	80	10					1,464
50444	Plate 147x9	147	9					2,450
50411	Plate 150x5	150	5					1,485
50428	Plate 200x15	200	15					5,565
50440	Plate 210x4	210	4					1,720
50406	Plate 300x5	300	5					2,750
50442	Plate 331x4	331	4					2,600

SERIES 506 | ROUND TUBES (1/2)



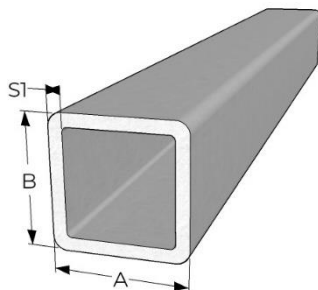
CODE	DESCRIPTION	A	B	C	D	S1	S2	WEIGHT Kg/m
50648	Tube 12,7x5x3,85	12,7	5			3,85		0,210
50649	Tube 13x7x3	13	7			3		0,185
50659	Tube 20x10x5	20	10			5		0,440
50618	Tube 20x15x2,5	20	15			2,5		0,235
50639	Tube 20x16x4	20	16			2		0,200
50655	Tube 22x10x6	22	10			6		0,595
50654	Tube 22x17x2,5	22	17			2,5		0,280
50633	Tube 24x20x20	24	20			2		0,225
50617	Tube 25x20x2,5	25	20			2,5		0,309
50601	Tube 28x23x2,5	28	23			2,5		0,350
50644	Tube 28x24,4x1,8	28	24,4			1,8		0,250
50626	Tube 28x25x1,5	28	25			1,5		0,250
50670	Tube 30x20x5	30	20			5		0,650
50665	Tube 30x24,4x2,8	30	24,4			2,8		0,400
50616	Tube 30x25x2,5	30	25			2,5		0,380
50643	Tube 30x25,6x2,2	30	25,6			2,2		0,325
50607	Tube 33x28,5x2,25	33	28,5			2,25		0,350
50677	Tube 38x17x10,5	38	17			10,5		1,678
50641	Tube 38x25x6,5	38	25			6,5		1,420
50681	Tube 38x28x5	38	28			5		1,210
50675	Tube 38x28,5x4,75	38	28,5			4,75		1,140
50631	Tube 40x10x15	40	10			15		2,190
50623	Tube 40x20x10	40	20			10		1,870
50678	Tube 40x28x6	40	28			6		1,190
50619	Tube 40x35x2,5	40	35			2,5		0,535
50668	Tube 42x36x3	42	36			3		0,640

SERIES 506 | ROUND TUBES (2/2)



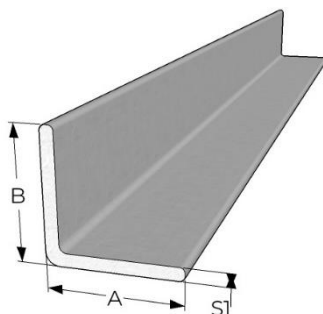
CODE	DESCRIPTION	A	B	C	D	S1	S2	WEIGHT Kg/m
50682	Tube 42x37x2,5	42	37			2,5		0,580
50657	Tube 45x28x8,5	45	28			8,5		1,830
50635	Tube 45x37x4	45	37			4		0,995
50664	Tube 50x30x10	50	30			10		2,500
50676	Tube 50x40x5	50	40			5		1,225
50605	Tube 50x41x4,5	50	41			4,5		1,270
50642	Tube 50x42,5x3,75	50	42,5			3,75		0,920
50673	Tube 50x44,2x2,9	50	44,2			2,9		0,760
50622	Tube 60x40x10	60	40			10		2,980
50656	Tube 60x45x7,5	60	45			7,5		2,165
50653	Tube 60x50x5	60	50			5		1,650
50684	Tube 60x52x4	60	52			4		0,700
50608	Tube 60x54x3	60	54			3		0,900
50636	Tube 60x55x2,5	60	55			2,5		0,700
50645	Tube 60x56x2	60	56			2		0,690
50660	Tube 76x40x18	76	40			18		6,000
50615	Tube 76x60x8	76	60			8		3,360
50658	Tube 80x45x17,5	80	45			17,5		6,150
50613	Tube 94x75x9,5	94	75			9,5		4,500
50661	Tube 94x84x5	94	84			5		2,770
50666	Tube 103,5x109,5x3	103,5	109,5			3		1,720
50679	Tube 104x60x22	104	60			22		10,720
50606	Tube 104x94x5	104	94			5		2,850
50672	Tube 120x103,5x8,25	120	103,5			8,25		5,400
50630	Tube 120x110x5	120	110			5		3,830
50671	Tube 127,5x110x8,75	127,5	110			8,75		5,460
50667	Tube 127,5x120,5x3,5	127,5	120,5			3,5		2,280
50646	Tube 169x149x10	169	149			10		9,200
50674	Tube 202x182x10	202	182			10		12,100
50680	Tube 280x260x10	280	260			10		16,278

SERIES 507 | SQUARE TUBES



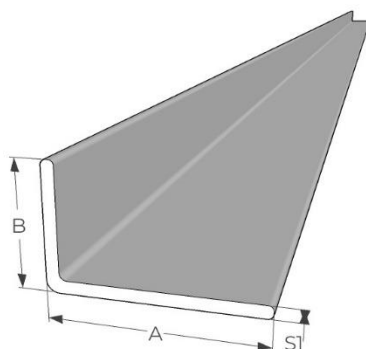
CODE	DESCRIPTION	A	B	C	D	S1	S2	WEIGHT Kg/m
50705	Square Tube 30x30x5	30	30			5		0,905
50701	Square Tube 40x40x3	40	40			3		0,796
50706	Square Tube 40x40x4	40	40			4		0,993
50710	Square Tube 50x50x4,25	50	50			4,25		1,440
50703	Square Tube 50x50x5	50	50			5		1,635
50711	Square Tube 60x60x4,5	60	60			4,5		1,775
50702	Square Tube 77x77x9,52	76,2	76,2			9,52		4,750
50708	Square Tube 102x102x4	102	102			4		2,750
50709	Square Tube 102x102x8	102	102			8		5,450

SERIES 508 | L PROFILES



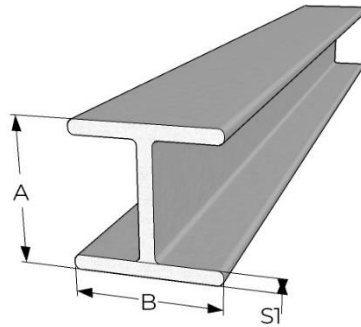
CODE	DESCRIPTION	A	B	C	D	S1	S2	WEIGHT Kg/m
50803	L Profile 20x20x3	20	20			3		0,203
50801	L Profile 30x30x3	30	30			3		0,328
50811	L Profile 35x35x5	35	35			5		0,580
50806	L Profile 40x40x2,5	40	40			2,5		0,340
50805	L Profile 40x40x4	40	40			4		0,537
50812	L Profile 40x40x5	40	40			5		0,675
50813	L Profile 45x45x5	45	45			5		0,785
50802	L Profile 50x50x5	50	50			5		0,850
50807	L Profile 50,8x50,8x9,5	50,8	50,8			9,5		1,650
50810	L Profile 60x60x5	60	60			5		1,050
50814	L Profile 60x60x8	60	60			8		1,670
50816	L Profile 75x75x6	75	75			6		1,550
50815	L Profile 80x80x8	80	80			8		2,310
50809	L Profile 95x95x5	95	95			5		1,850
50804	L Profile 100x100x8	100	100			8		2,660

SERIES 509 | SPECIAL L PROFILES



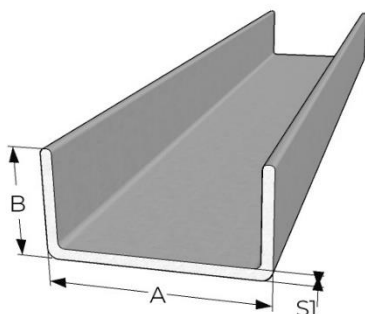
CODE	DESCRIPTION	A	B	C	D	S1	S2	WEIGHT Kg/m
50902	L Profile 20x15x3	20	15			3		0,190
50904	L Profile 45x35x5	45	35			5		0,660
50909	L Profile 50x15x5	50	15			5		0,530
50901	L Profile 50x20x5	50	20			5		0,585
50911	L Profile 50x30x2,5	50	30			2,5		0,370
50903	L Profile 60x30x6	60	30			6		0,950
50914	L Profile 60x40x6	60	40			6		1,030
50910	L Profile 61x58x3	61	58			3		0,650
50906	L Profile 150x80x3	150	80			3		1,380
50907	L Profile 150x100x10	150	100			10		4,360

SERIES 511 / 519 | H PROFILES



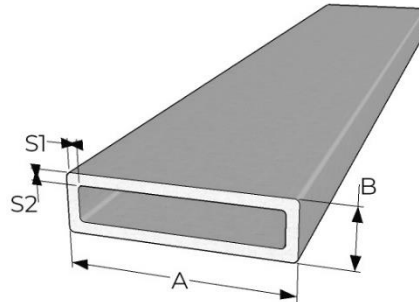
CODE	DESCRIPTION	A	B	C	D	S1	S2	WEIGHT Kg/m
51103	H Profile 100x50x6	100	50			6		2,100
51150	H Profile 100x100x6	100	100			6		3,000
51102	H Profile 108x54x4	108	54			4		1,580
51110	H Profile 120x60x6	120	60			6		2,480
51109	H Profile 150x75x6	150	75			6		3,150
51108	H Profile 150x75x8	150	75			8		4,225
51104	H Profile 203,2x101,6x9,32	203,2	101,6			9,32		6,350
51151	H Profile 200x200x10	200	200			10		11,020
51106	H Profile 290x190x10	290	190			10		11,750

SERIES 512 / 519 | U PROFILES



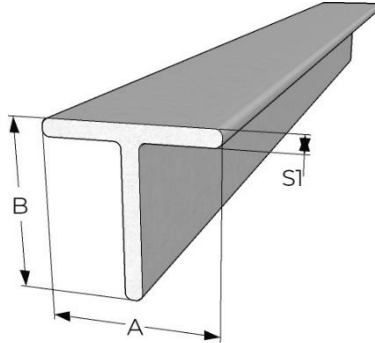
CODE	DESCRIPTION	A	B	C	D	S1	S2	WEIGHT Kg/m
51206	U Profile 30x20x4	30	20			4		0,450
51201	U Profile 50x30x4	50	30			4		1,180
51253	U Profile 55x35x3	55	35			3		0,600
51913	U Profile 50x39x3	50	39			3		0,675
51919	U Profile 60x50x4	60	50			4		1,100
51207	U Profile 60x50x5	60	50			5		1,340
51254	U Profile 75x35x3	75	35			3		0,715
51209	U Profile 90x35x8	90	35			8		2,180
51212	U Profile 150x45x8	150	45			8		3,200
51210	U Profile 200x100x10	200	100			10		6,900
51205	U Profile 203,2x55,6x9,52	203,2	55,6			9,52		4,950

SERIES 513 / 519 | RECTANGULAR TUBES



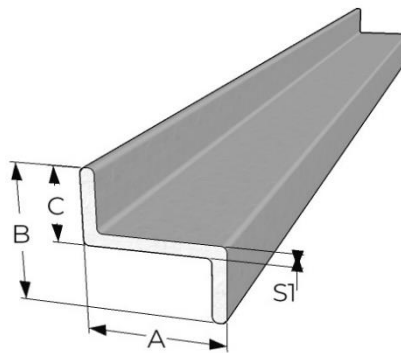
CODE	DESCRIPTION	A	B	C	D	E	S1	S2	R'	R''	WEIGHT Kg/m
51915	Rectangular Tube 44x36	44	36				5				1,290
51904	Rectangular Tube 52x35	52	35				4				1,175
51319	Rectangular Tube 60x20	60	20				3,5	2,3			0,705
51308	Rectangular Tube 60x21,5	60	21,5				3,4				0,950
51311	Rectangular Tube 62,6x25,6	62,6	25,6				2,5	2			0,657
51301	Rectangular Tube 63x26	63	26				4	3			0,925
51315	Rectangular Tube 70x60	70	60				3				1,450
51314	Rectangular Tube 73x25	73	25				3,5	3			1,030
51305	Rectangular Tube 73x25	73	25				6,6	3			1,375
51310	Rectangular Tube 80x50	80	50				5				2,285
51302	Rectangular Tube 82x29	82	29				4	2,5			1,170
51316	Rectangular Tube 86x60	86	60				3				1,540
51303	Rectangular Tube 87x32	87	32				4				1,525
51307	Rectangular Tube 89x28,5	89	28,5				4,5	3,2			1,435
51309	Rectangular Tube 90x35	90	35				4,5	3			2,285
51304	Rectangular Tube 102x77	102	77				4				2,530
51318	Rectangular Tube 110x60	110	60				3				1,850

SERIES 517 | T PROFILES



CODE	DESCRIPTION	A	B	C	D	E	S1	S2	R'	R''	WEIGHT Kg/m
51702	T Profile 75x54x8	75	54				8				1,830
51703	T Profile 75x75x6	75	75				6				1,475

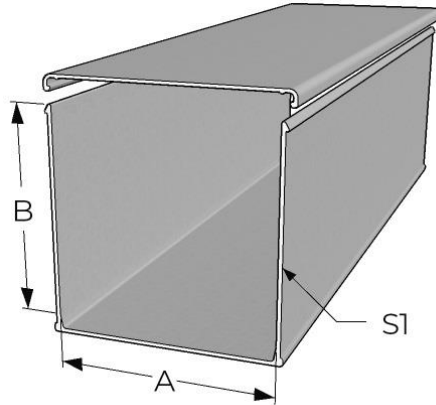
SERIES 529 | Z PROFILES



CODE	DESCRIPTION	A	B	C	D	E	S1	S2	R'	R''	WEIGHT Kg/m
52901	Z Profile 46x45x5	46	45	25			5				0,740

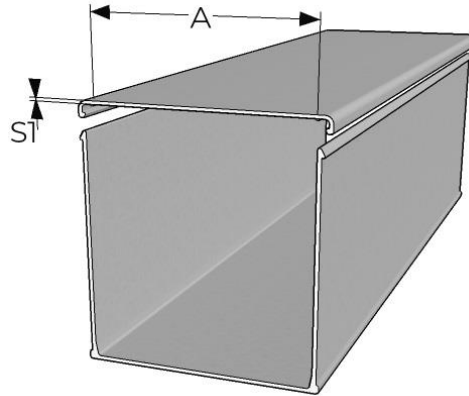
GRP Cable Trays & Channels

SERIES 522 | CABLE TRAYS (Normative Telecom Italia | FSI)



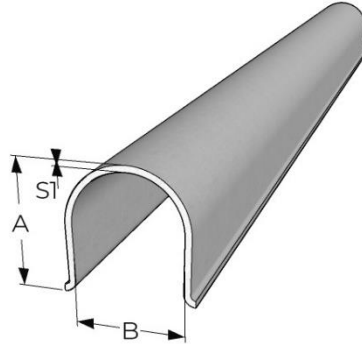
CODE	DESCRIPTION	A	B	C	D	E	S1	S2	R'	R''	WEIGHT Kg/m
52201	Cable Tray 50x50x2,5	50	50				2,5				0,825
52211	Cable Tray 50x50x3	50	50				3				1,120
52203	Cable Tray 80x80x2,5	80	80				2,5				1,210
52212	Cable Tray 80x80x3	80	80				3				1,610
52252	Cable Tray 120x80x3 without cover	120	80				3				1,711
52206	Cable Tray 120x120x2,5	120	120				2,5				1,890
52213	Cable Tray 120x120x3	120	120				3				2,400
52208	Cable Tray 140x70x2,5	140	70				2,5				1,490
52214	Cable Tray 140x70x3	140	70				3				1,830
52209	Cable Tray 140x100x2,5	140	100				2,5				1,760
52210	Cable Tray 140x100x3	140	100				3				2,280
52207	Cable Tray 140x140x2,5	140	140				2,5				2,260
52215	Cable Tray 140x140x3	140	140				3				2,750
52218	Cable Tray 175x70x2,5	175	70				2,5				1,675
52219	Cable Tray 175x120x2,5	175	120				2,5				2,130
52220	Cable Tray 175x175x2,5	175	175				2,5				2,655
52205	Cable Tray 200x80x3	200	80				3				2,265

SERIES 523 | COVERS (Normative Telecom Italia | FSI)



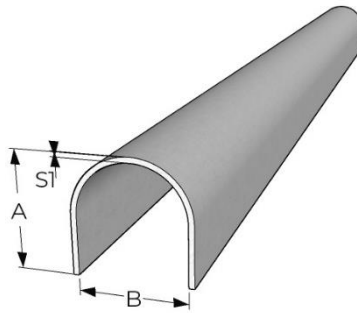
CODE	DESCRIPTION	A	B	C	D	E	S1	S2	R'	R''	WEIGHT Kg/m
52301	Cover 50x2,5 (for 52201)	50					2,5				0,365
52306	Cover 50x3 (for 52211)	50					3				0,540
52302	Cover 80x2,5 (for 52203)	80					2,5				0,535
52312	Cover 80x3 (for 52212)	80					3				0,700
52304	Cover 120x2,5 (for 52206)	120					2,5				0,655
52313	Cover 120x3 (for 52213)	120					3				0,890
52305	Cover 140x2,5 (for 52207 08 09)	140					2,5				0,790
52314	Cover 140x3 (for 52210 14 15)	140					3				1,080
52318	Cover 175x2,5 (for 52218 19 20)	175					2,5				1,145
52350	Cover 200x3 (for 52205)	200					3				1,340

SERIES 518 | OMEGA CHANNELS (Enel)



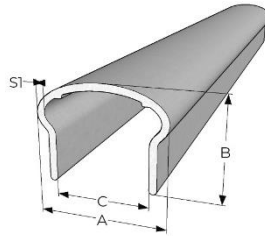
CODE	DESCRIPTION	A	B	C	D	E	S1	S2	R'	R''	WEIGHT Kg/m
51801	Omega 56 ENEL	56	56				3				0,940
51805	Omega 75 ENEL	75	69				3,5				1,395
51802	Omega 80 ENEL	80	80				3,5				1,520
51803	Omega 100 ENEL	100	97				3,5				1,720
51806	Omega 110 ENEL	110	109				3,5				1,910

SERIES 546 | OMEGA CHANNELS (Normative Telecom Italia)

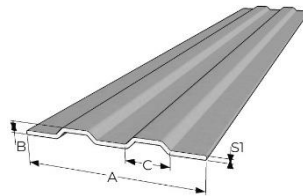


CODE	DESCRIPTION	A	B	C	D	E	S1	S2	R'	R''	WEIGHT Kg/m
54601	Omega 46 TELECOM	46	43				3				0,596
54602	Omega 74 TELECOM	74	74				3				1,050

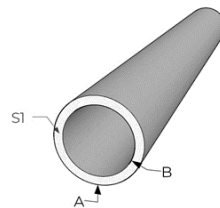
Handrail Profiles



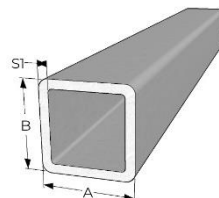
CODE	DESCRIPTION	A	B	C	D	E	S1	S2	R'	R''	WEIGHT Kg/m
51934	Omega Handrail for Post 50 mm	70	54	50			4				1,060



CODE	DESCRIPTION	A	B	C	D	E	S1	S2	R'	R''	WEIGHT Kg/m
51935	Kickplate 150x3,5	150	10	30			3,5				1,020



CODE	DESCRIPTION	A	B	C	D	E	S1	S2	R'	R''	WEIGHT Kg/m
50617	Intermediate Round Tube 25x20x2,5	25	20				2,5				0,309



CODE	DESCRIPTION	A	B	C	D	E	S1	S2	R'	R''	WEIGHT Kg/m
50703	Square Tube 50x50x5	50	50				5				1,635

FOR MORE INFORMATION FEEL FREE TO
CONTACT US!

FIBRAWORLD d.o.o.

Ul. Sarajevska, bb

76250, Gradacac

Bosnia And Herzegovina

Tel: +387 35 816 375

Email: info@fibraworld.ba

www.fibraworld.ba